

129-826E190 Lawn Boss 21 (1989)
Body Assembly

Page 2 of 6

Ref #	Part Number	Qty	S/P/F	Description
1	720-0225	2	S	Foam Grip
2	731-0609	1		Control Handle Ass'y.-L.H.
4	710-0796	1	/P	Truss Mach. Scr. #12 x 1.50" Lg.
7	731-0817	1	S	Control Panel Half
8	731-0524	1		Control Disc Pin
9	731-0816	1		Clutch Panel Half
10	731-0972	1	S	Throttle Control Lever
11	731-0981A	1	S	Hub Cap (Radial)
12	738-0234	1		Shoulder Bolt .5" Dia. x .295
14	749-0439A	1	S	Upper Handle-Painted
18	710-0429	1	S	Hex B-Tap Scr. #10 x .38" Lg.
21	710-0134	1	/P	Carriage Bolt 1/4-20 x .62"
	710-0289	1	S	Hex Bolt 1/4-20 x .50" Lg.
24	738-0704	1	S	Shoulder Bolt .312 Dia. x .18 Lg.-Special
26	712-0287	1	S	Hex Nut 1/4-20 Thd.
27	736-0270	1	/P	Bell-Wash. 1/4" I.D.
28	736-0329	1	S	L-Wash. 1/4" I.D.
31	731-1059	1	S	S.P. Control Cover
32	735-0639	1	/P	Spark Plug Insulator
33	712-0388	1	S	Wing Nut w/Washer
34	746-0672	1	S	Throttle Control Wire 58"
35	749-0725	1	S	Lower Handle-Painted
36		1		Engine
39	14835	1		Retaining Strip
40	710-0323	1	/P	Truss Mach. Scr. 5/16-18 x .75" Lg.
41	736-0204	1	/P	FI-Wash. .344" I.D. x .62"
42	17055B	1	/P	Chain-Axle Ass'y.
43	710-0352	1	/P	Hex B-Tap Scr. 1/4" x .38" Lg.
44	741-0180	1	S	Flange Ball Bearing 1/2" I.D.
45	710-0776A	1	S	Hex AB-Tap Scr. 1/4 x .62"
46	712-0266	1	S	Hex Jam Nut 3/8-16 Thd.
47	712-0296	1	S	Hex Patch L-Nut 3/8-24 Thd.
48	713-0353	1	S	#48 Chain .500" Pitch x 30 Links
49	712-0346	1	S	Hex L-Nut 1/2-20 Thd.
50	731-0564	1		Plug
51	731-0672A	1	/P	Rear Flap 3.75" x 17.30" Lg.
52	726-0240	1	S	Cable Tie
54	710-0969	1	/P	Hex AB-Tap Scr. 1" Lg.
55	753-0463	1	S	Blade Adapter Kit
56	742-0306	1	S	21" Blade
57	736-0169	1	S	L-Wash. 3/8" I.D.
58	736-0415	1	S	Blade Bell-Wash. .44" I.D. x 2.38"
59	16863	1	S	Height Adj. Rod 19.42" Lg.
60	710-0757	1	/P	Hex Bolt 7/16-20 x 1.5" Lg. (Grade 5)
61	748-0190	1	/P	Spacer .513" I.D. x .703" O.D. x .69" Lg.
62	756-0502	1	S	Serrated Pulley Half
63	736-0119	1	S	L-Wash. 5/16" I.D.
64	16136A	1	S	R.H. Handle Wheel Brkt. Ass'y.
65	16137B	1	S	L.H. Handle Wheel Brkt. Ass'y.
66	710-0260	1	S	Carriage Bolt 5/16-18 x .62"
67	710-0603	1	/P	Hex Wash. Hd. B-Tap Scr. 5/16-18
68	710-0654A	1	/P	Hex Wash. Hd. TT-Tap Scr. 3/8-16
69	712-0267	1		8 Thd.*

129-826E190 Lawn Boss 21 (1989)
Body Assembly

Page 3 of 6

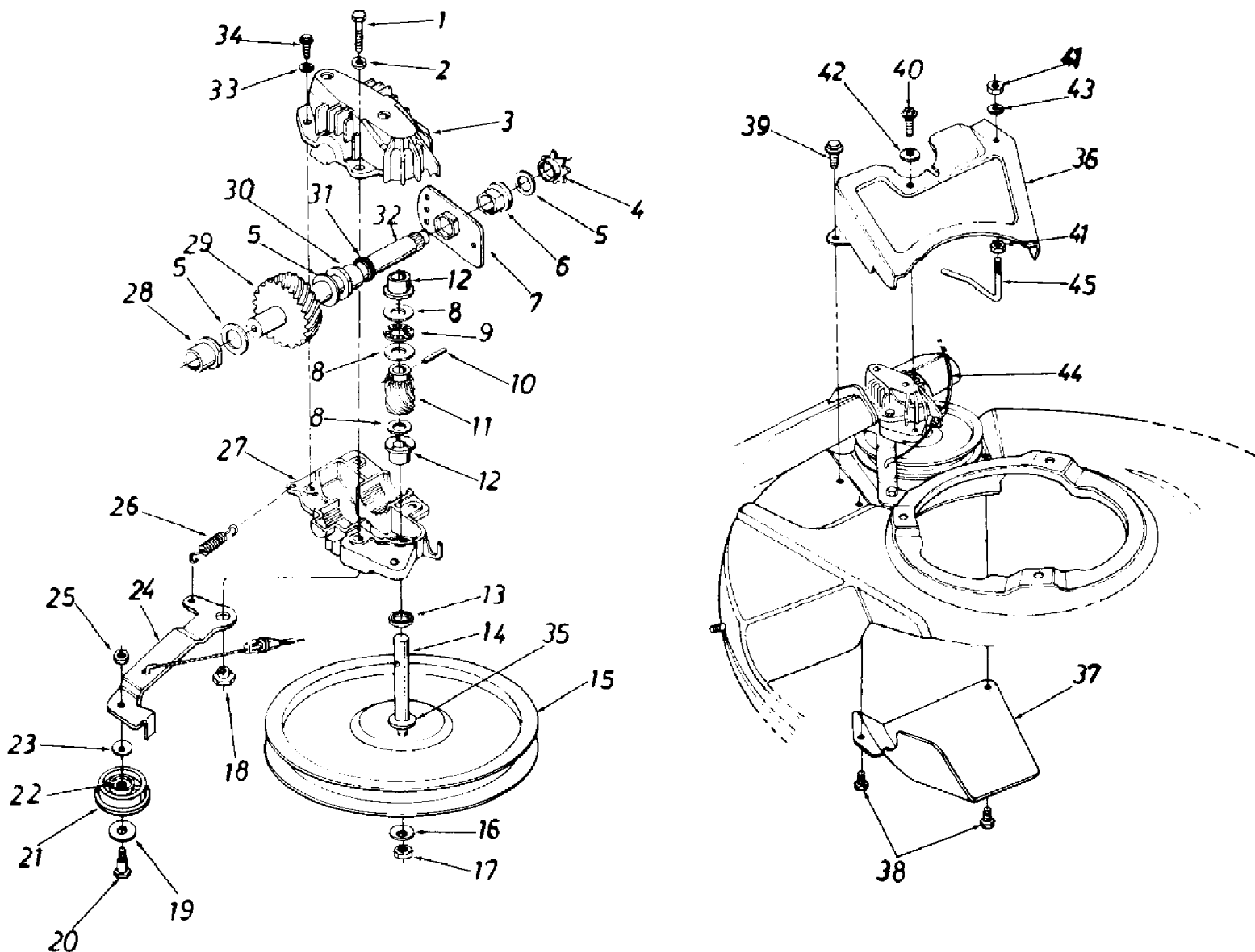
Ref #	Part Number	Qty	S/P/F	Description
70	720-0223	1		Grip
71	732-0606	1		Height Adj. Lever
72	711-0805	1		Shld. Pin 3/8-24 x 1.43" Lg.
73	736-0242	1	/P	Bell-Wash. 5/16" I.D.
74	750-0736	1	S	Spacer.383" I.D.
75	750-0624	1		Shld. Spacer .500" Dia.
77	726-0233	1	/P	Bolt Retainer 1/4 X .50" O.D.
78	777-5902	1		Instruction Label
79	777-5812	1		Control Label
80	738-0137	1		Shld. Scr. .342" Dia. x .268
81	748-0188B	1	S	Pawl
82	734-1510A	1	S	Wheel Ass'y. Comp.
83	726-0175	1	/P	Clamp
84	741-0486A	1		Bearing 1/2" I.D.
85	736-0408	1	S	Wave Washer 1.005" I.D.
86	736-0409	1	S	Serrated Washer 1.0" I.D.
88	16855	1		Pawl Plate
90	16542A	1		Lower Battery Tray
91	731-0891	1	S	Upper Battery Tray
92	725-1276	1	S	12 Volt Battery
93	725-0201	1	S	Key
94	725-0873	1	S	Key Switch
95	746-0710	1	S	S.P. Cable x 48" Lg.
96	754-0343	1	S	"V"-Belt
100	710-0436	1	S	Hex B-Tap Scr. #10 x .62"
101	751-0463	1		Cable Clamp
102	16859	1		483/N 21" Deck Ass'y.
103	725-1283A	1		Wire Harness
104	725-1206	1	S	Plug
105	16856	1	S	Front Axle Ass'y.
106	711-0313	1	S	Sleeve .526" I.D. x .690" O.D. x .880" Lg.
107	725-0727	1	S	Battery Charger
109	732-0362	1	S	Extension Spring .75" O.D. x 8.0" Lg.
110	712-0189	1	S	Flat Weld Nut 1/4-20 Thd.
111	736-0221	1	/P	Intern. L-Wash. 3/8 I.D.*
112	738-0705	1	S	Shld. Bolt .575" Dia. x .42
113	734-1513A	1	S	Wheel Ass'y. Comp.
114	731-1057	1	S	Self-Propelled Control Cover
115	731-0618A	1	S	Self-Propelled Control Cover
116	731-0620	1	S	Control Lever
118	710-0841	1	/P	FI-"C"-Sunk Hd. Tap Scr. #10 x .75" Lg.
121	710-0671	1	S	Curved Carr. Bolt 5/16-18 x 1.38" Lg.
129	746-0480A	1	S	Control Cable 46" Lg.
130	748-0318	1	S	Ratchet Wheel 1.62n O.D.
131	714-0115	1	S	Cotter Pin 1/8" Dia. x 1.00" Lg.*
133	731-0884	1	/P	Side Chute Deflector Ass'y.
134	741-0522	1	S	Hex Flange Bearing
135	753-0430	1		Kit-Control Housing Comp.
136	10622B	1	S	Spring-Nylon
138	17053A	1		Chain Cover
140	710-0599	1	/P	Hex Wash. S-Tap Scr. 1/4-20 x.50" Lg.
142	712-0711	1	/P	Hex Jam Nut 3/8-24 Thd.
144	736-0300	1		Hex Wash. S-Tap Scr. 1/4-20 x.50" I.D. x .87"

129-826E190 Lawn Boss 21 (1989)
Body Assembly

Page 4 of 6

Ref #	Part Number	Qty	S/P/F	Description
147	738-0719A	1	S	Rear Shaft Ass'y. 21.94" Lg.
148	741-0324	1	S	Hex Flange Bearing .506" I.D. Plastic
149	736-0160	1	S	Fl-Wash. .531" I.D. x .930"
150	736-0253	1	S	Bell-Wash. .515" I.D. x 1.0" O.D.
151	741-0491	1		Flanged Nylon Brg.
152	710-0751	1	/P	Hex Bolt 1/4-20 x .62" Lg. (Grade 5)
153	717-0417A	1	S	Transmission Comp. (See Breakdown)
154	16500	1	S	Hex Bearing Cup
156	12894A	1		Cable Clamp
157	728-0171	1		Pop Rivet .156" Dia.
158	14924	1		Cable Bracket
159	736-0108	1	S	Fl-Wash. .51" I.D. x .75" O.D.

129-826E190 Lawn Boss 21 (1989)
Transmission Assembly



129-826E190 Lawn Boss 21 (1989)
Transmission Assembly

Page 6 of 6

Ref #	Part Number	Qty	S/P/F	Description
1	710-0106	1	/P	Hex Bolt 1/4-20 x 1.25" Lg.*
2	736-0329	1	S	L-Wash. 1/4" I.D.
3	717-0418A	1	/P	Upper Hsg. Half
4	713-0400	1		#48 Sprocket 7 Tooth x 1/2 Pitch
5	736-0336	1	S	FI-Wash. 5/8" I.D. x .030
6	741-0413	1	S	Hex Flange Brg. .631" I.D.
7	16500	1	S	Hex Bearing Cup
8	736-0314	1	S	Thrust Wash. .382" I.D. x .70" O.D.
9	741-0479	1		Thrust Bearing .375" I.D. x .812" O.D.
10	715-0152	1		Spring Pin Spir. 1/8" x .62" Heavy
11	717-0420	1		11 Tooth Helical Gear
12	748-0208A	1	/P	Flange Bearing
13	721-0212	1		Oil Seal
14	738-0708A	1	S	Pulley-Transmission Shaft
15	756-0330A	1	/P/F	FI-Pulley 5.06" O.D.
16	736-0270	1	/P/F	Bell-Wash. .265" I.D. x 75"
17	712-0351	1	S/F	Hex L-Nut 1/4-28 Thd.
18	738-0440	1	F	Shld. Spacer .375" Dia. x .170
19	736-0344	1	S/F	FI-Wash. .390" I.D. x 1.0"
20	738-0691	1	S/F	Shld. Bolt .375" Dia. x .40"
21	756-0447	1	S/F	FI-Idler Plastic 1.50" Dia.
22	741-0482	1	S/F	Needle Brg. .375" x .31
23	736-0270	1	/P/F	Bell-Wash. .265" I.D. x 75"
24	17052A	1	/P/F	Idler Brk't. Ass'y.
25	712-0138	1	S/F	Hex Patch L-Nut 1/4-28 Thd.
26	732-0357	1	S/F	Extension Spring 1.12" Lg.
27	717-0419A	1	S	Lower Hsg. Half
28	741-0415	1	S	Flange Bearing .566 Dia.
29	717-0422	1	S	33 Tooth Helical Gear
30	741-0414	1		Flange Bearing .629 Dia.
31	721-0213	1	/P	Oil Seal .625 Dia.
32	738-0607	1	S	Gear Sprocket Shaft
33	736-0722	1	S	L-Wash. #10 I.D.
34	710-0436	1	S	Hex B-Tap Scr. #10 x .62"
35	736-0410	1	S/F	Hex Washer .26" x .88"
36	17058	1	S/F	Transmission Belt Guard
37	17064	1		Belt Cover
38	710-0352	1	/P/F	Hex B-Tap Scr. 1/4 x .38" Lg.
39	710-0599	1	/P/F	Hex AB-Tap Scr. 1/4 x .50" Lg.
40	710-0896	1	/P	Hex B-Tap Scr 1/4 x 62" Lg
41	712-0287	1	S/F	Hex Nut 1/4-20 Thd.
42	736-0270	1	/P/F	Bell-Wash. .265" I.D. x 75"
43	736-0329	1	S/F	L-Wash. 1/4" I.D.
44	746-0710	1	S/F	S.P. Cable-48" Lg
45	747-0549	1	F	S.P. Belt Guard
	717-0417A	1	S	Transmission Comp.